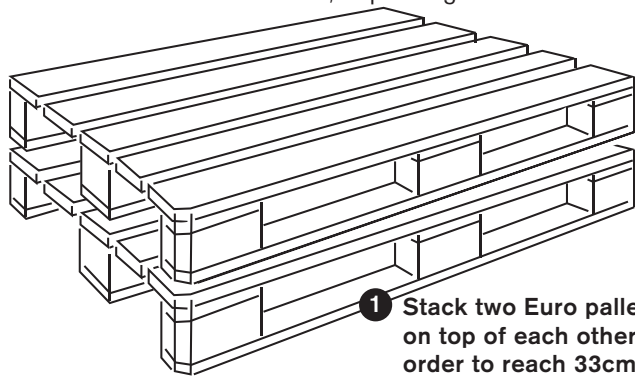


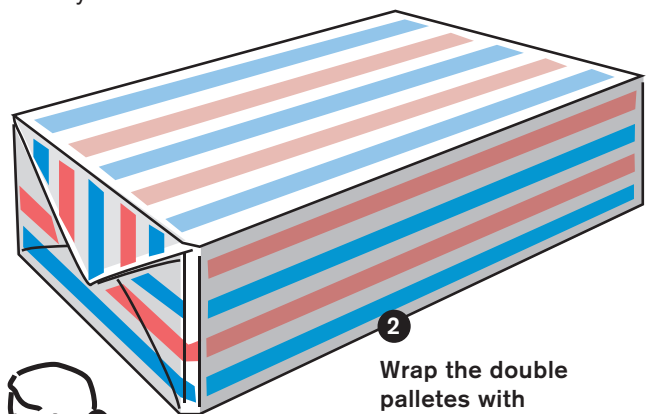
LOUNGE PLAN "Shadow Followers"

Photo print (4in x 6in) and notebook presentation in open, table top style. The modular, self-standing Outlet Platforms allow the local project participants to select and display their images freely. The concept is suitable to be setup in the warehouse or outdoors, depending on weather and space availability.

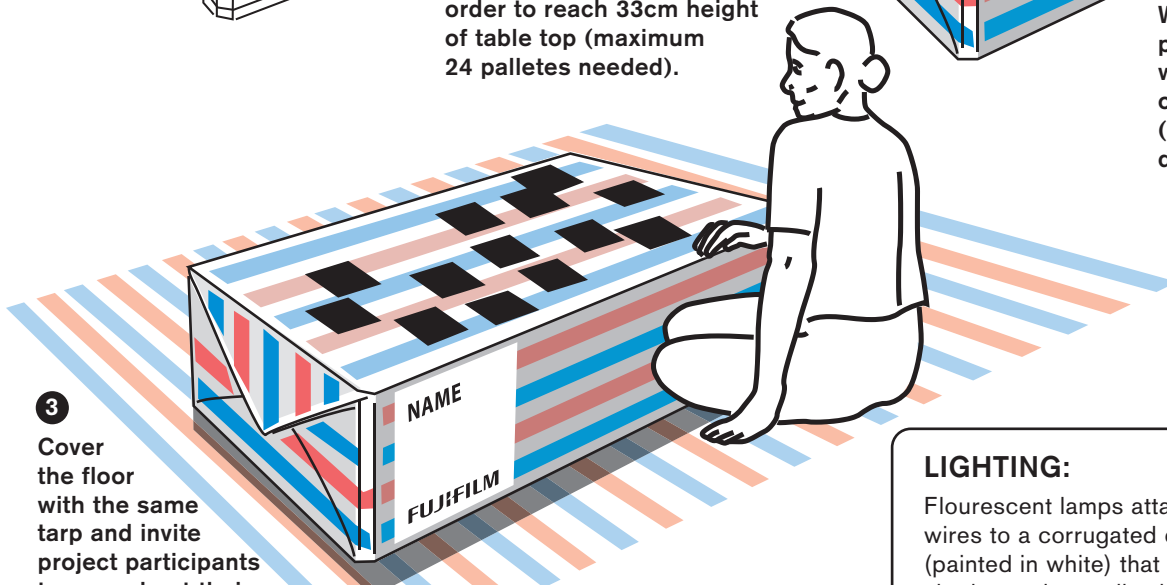
November 19, 2007
Markuz Wernli Saito
Version 3.2



1 Stack two Euro palletes on top of each other in order to reach 33cm height of table top (maximum 24 palletes needed).

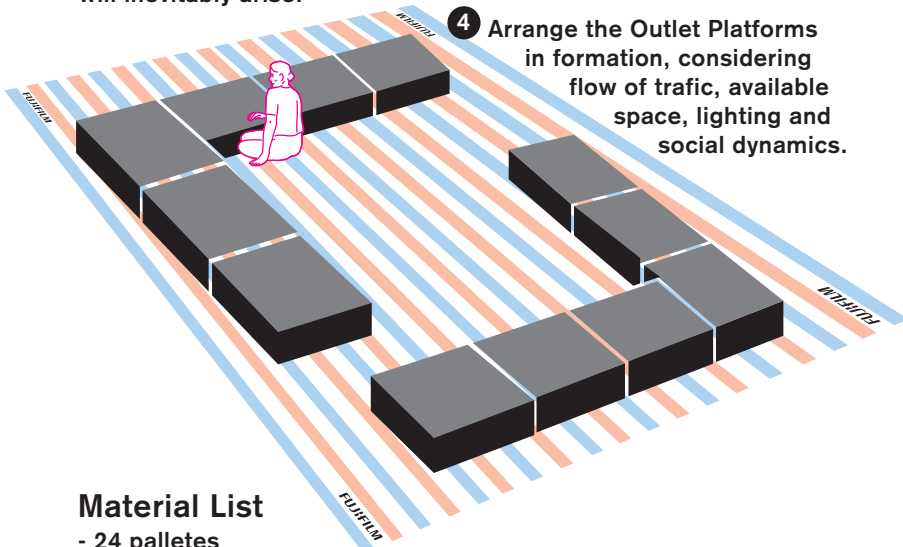


2 Wrap the double palletes with widely available construction tarp (usually used for drying coffee beans).



3 Cover the floor with the same tarp and invite project participants to spread out their images (instead of coffee beans): Questions on which images and how to display them, will inevitably arise.

4 Arrange the Outlet Platforms in formation, considering flow of traffic, available space, lighting and social dynamics.



Material List

- 24 palletes
- 48m² construction tarp as pallet wrapping
- 7m x 7m (49m²) construction tarp as floor covering
- printouts with participant's names.

IF LIGHTS ARE NEEDED:

- 10 flourescent lamps
- extension cords
- 10 corrugated card boards
- white acrylic paint
- 150 cm 1.5mm wire (plant wire)

LIGHTING:

Flourescent lamps attached with wires to a corrugated card board frame (painted in white) that serves as lamp shade can be easily clamped between the platforms.

FLOURESCENT LAMP

DOUBLE PALLETTES AS CLAMP

CARDBOARD FRAME + LAMP SHADE

LAMP

